

METAL SLAT WR:

Black Finish: Product # 52501063BLK
Galvanized Finish: Product # 52501063GLV

WIRE BASKET:

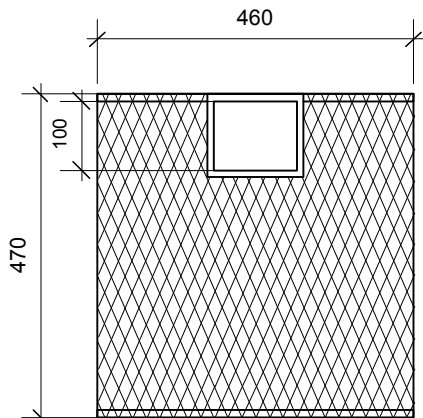
Black Finish: Product # 52501058
Galvanized Finish: Product # 52501058GLV

Drawing Title:

**WASTE RECEPTACLE
SIDE OPENING METAL SLAT TYPE**

Drawing No:

SCD-119



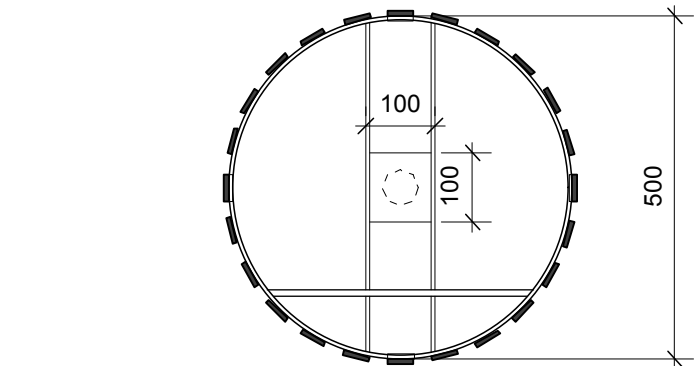
WIRE BASKET

NOTE FOR BLACK FINISH:

- POWDERCOATED - METAL SUITABLY CLEANED TO REMOVE ANY GREASE, WAX, ETC. FOR PROPER PAINT BONDING TO OCCUR. BASE COAT ZINC RICH PRIMER. BAKED WITH A FINAL THICKNESS OF PAINT BETWEEN 5-8 MIL.

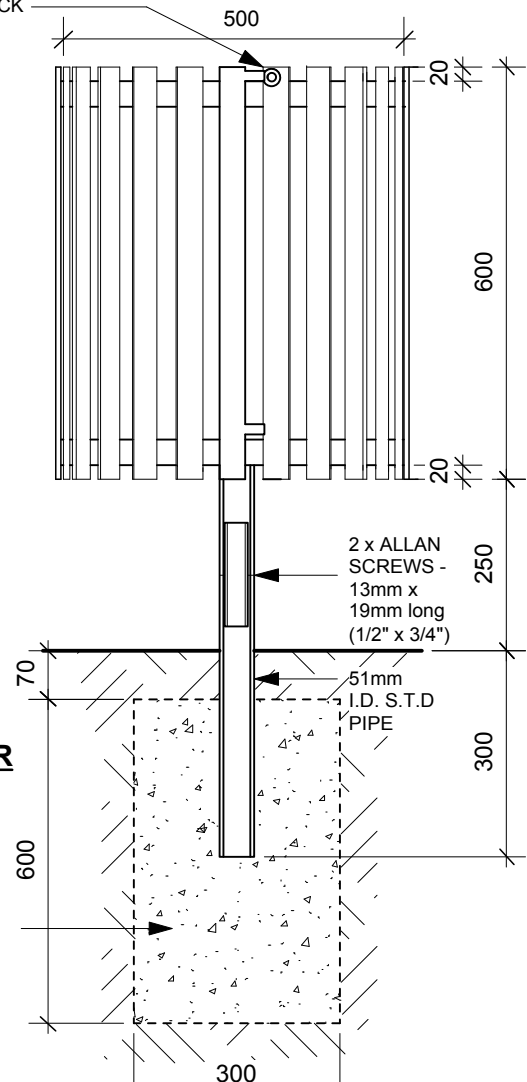
NOTE FOR GALVANIZED FINISH:

- METAL TO BE HOT DIPPED GALVANIZED.



PLAN

TO TAKE PADLOCK



METAL SLAT WR

DIMENSIONS SHOWN ARE IN MILLIMETRES UNLESS OTHERWISE SPECIFIED

REVISION: 2
DATE: December 20, 2012
SCALE: N.T.S.
DRAWN BY: SP

The City of Winnipeg
Planning, Property and Development Department
Planning and Land Use Division
Unit 15 - 30 Fort Street, Winnipeg, MB, R3C 4X5

